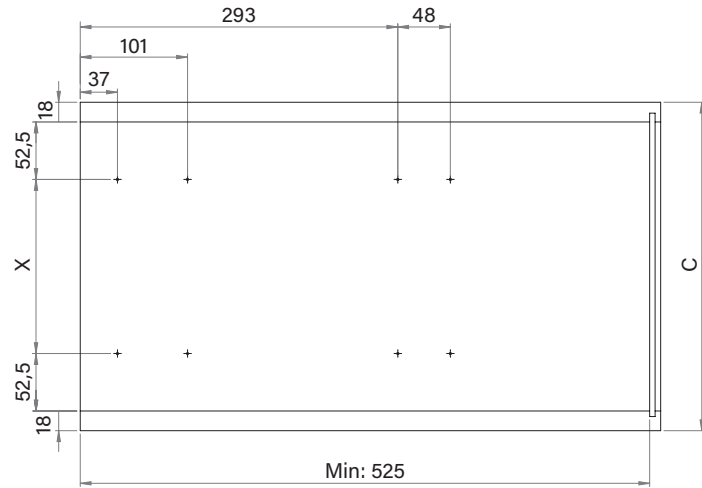
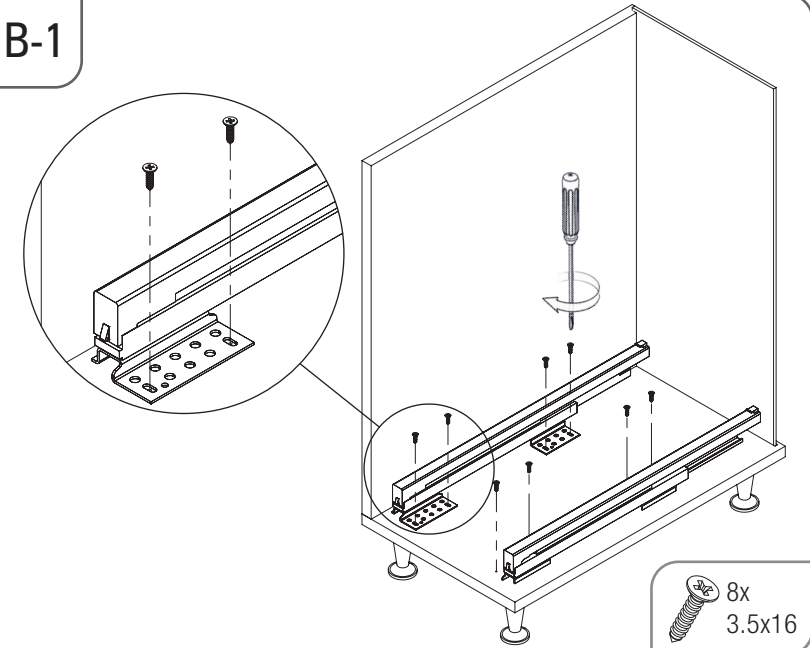


A-1

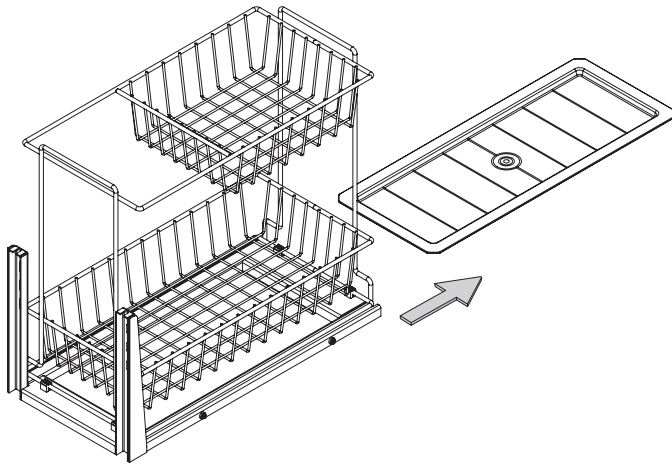


Product Code	C	X
S-2130-	300	159
S-2131-	350	209
S-2132-	400	259
S-2133-	450	309

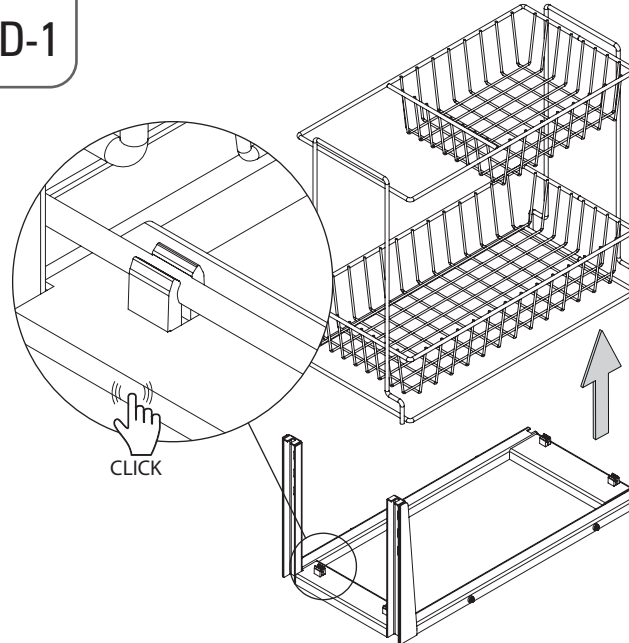
B-1



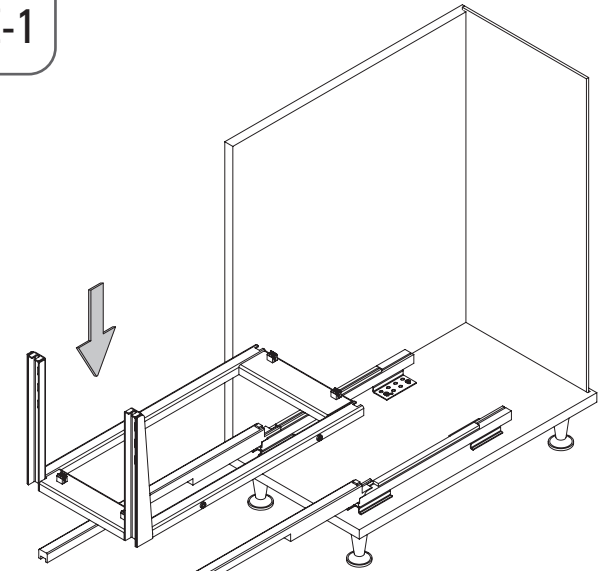
C-1



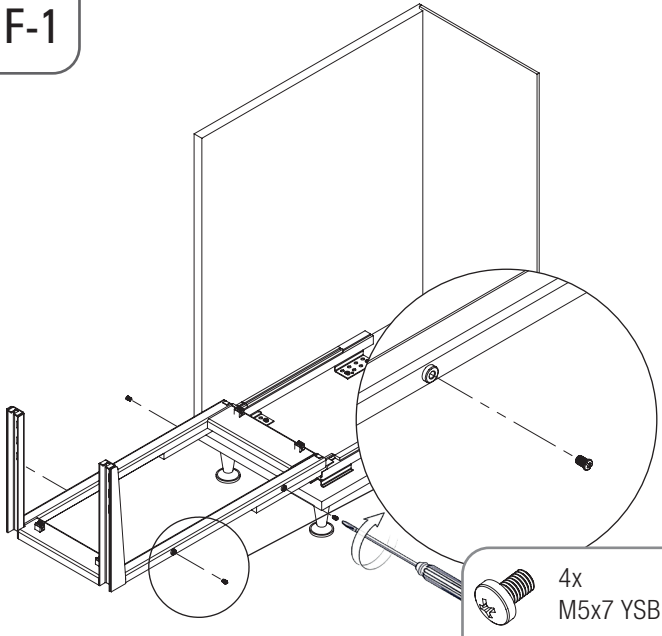
D-1



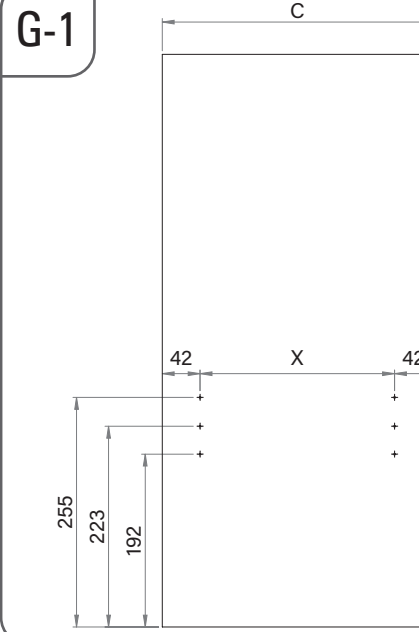
E-1



F-1

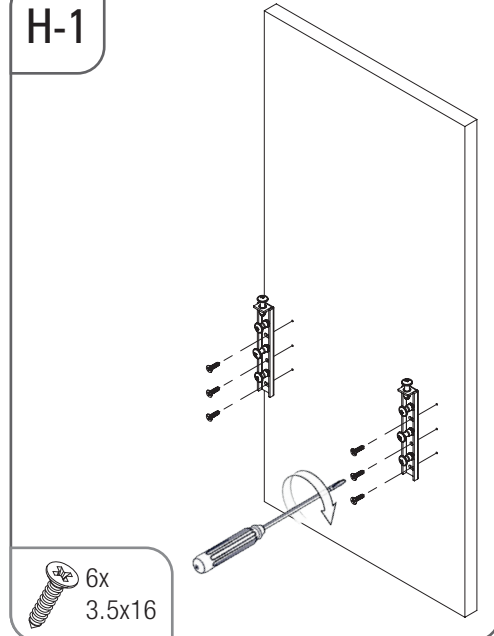


G-1

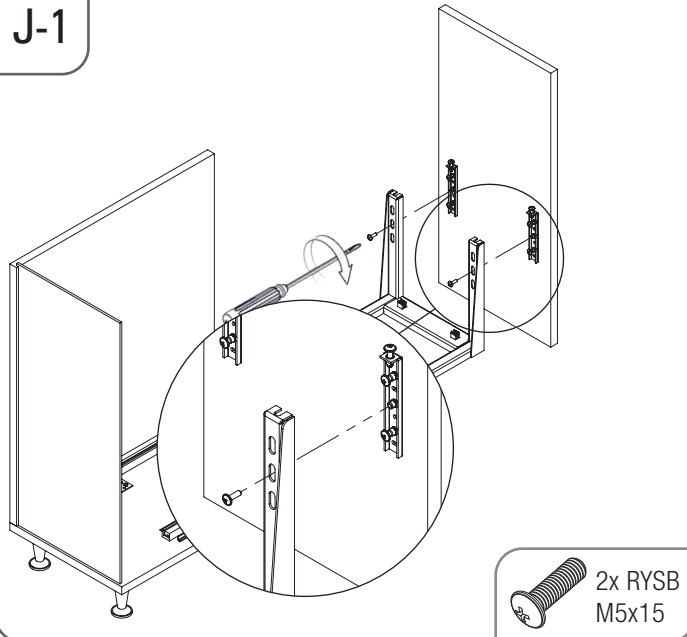


Product Code	C	X
S-2110-	300	216
S-2111-	350	266
S-2112-	400	316
S-2113-	450	366

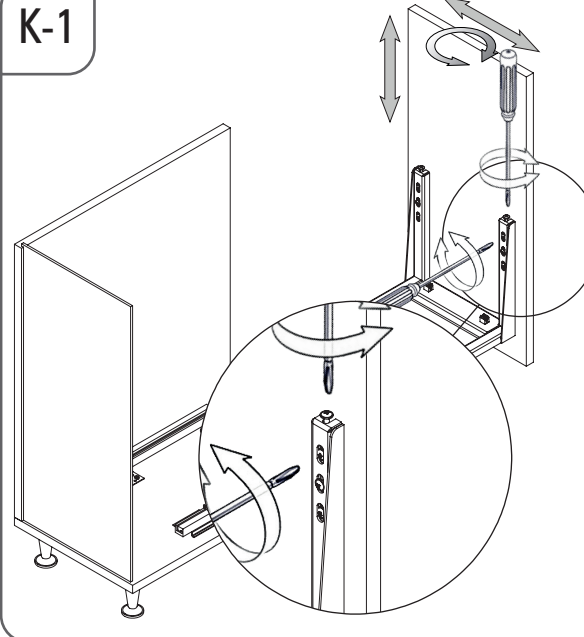
H-1



J-1



K-1



L-1

